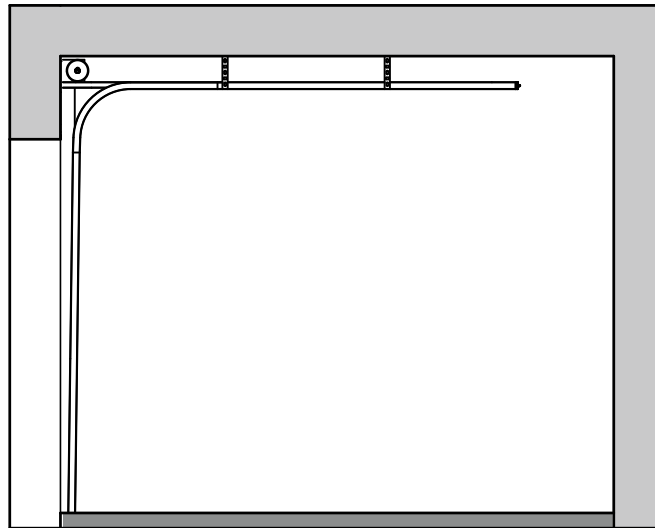


# NP

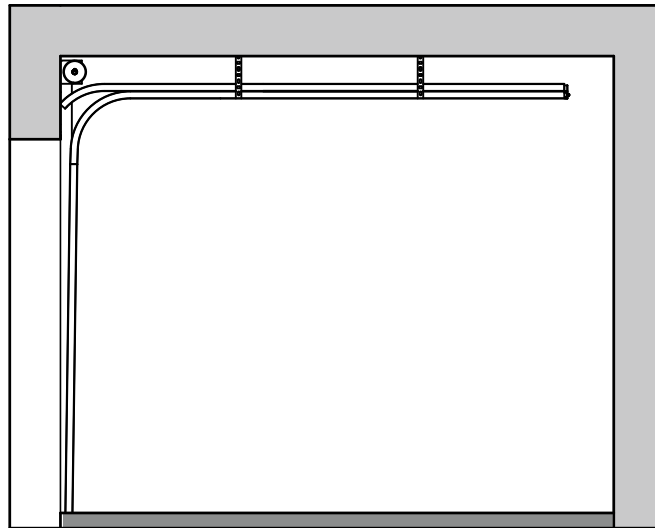
normal



|        |                       |
|--------|-----------------------|
| B max  | = 8000 mm             |
| bk min | = 100 mm              |
| b min  | = 140 mm              |
| bc min | = 260 mm              |
| bn min | = 440 mm              |
| H max  | = 5510 mm   = 6000 mm |
| Hn min | = 450 mm   = 510 mm   |
| Hp     | = H - 50 mm           |
| Hpn    | = H                   |
| W min  | = H + 675 mm          |

# LHRF

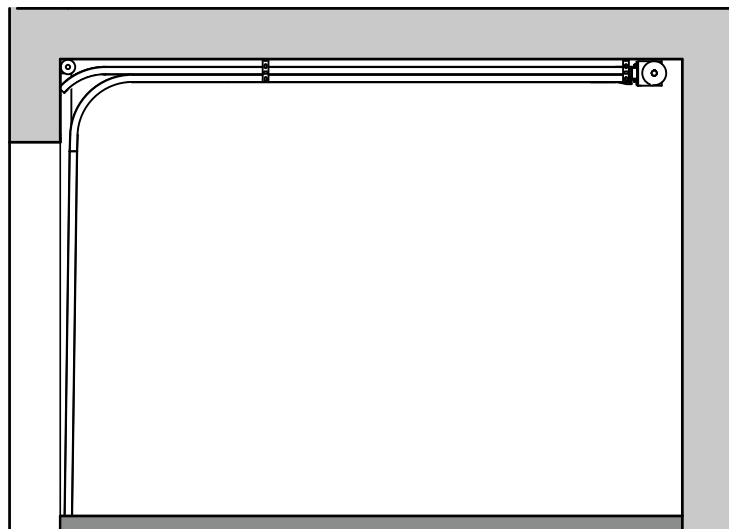
low with front mounted springs



|         |                     |
|---------|---------------------|
| B max   | = 8000 mm           |
| bk min  | = 100 mm            |
| b min   | = 140 mm            |
| bc min  | = 280 mm            |
| bn min  | = 440 mm            |
| H max   | = 5000 mm           |
| Hn min  | = 320 mm            |
| Hp      | = H - 150 mm        |
| Hpn     | = H - 50 mm         |
| W min   | = H + 330 mm        |
| BxH max | = 32 m <sup>2</sup> |

# LHR

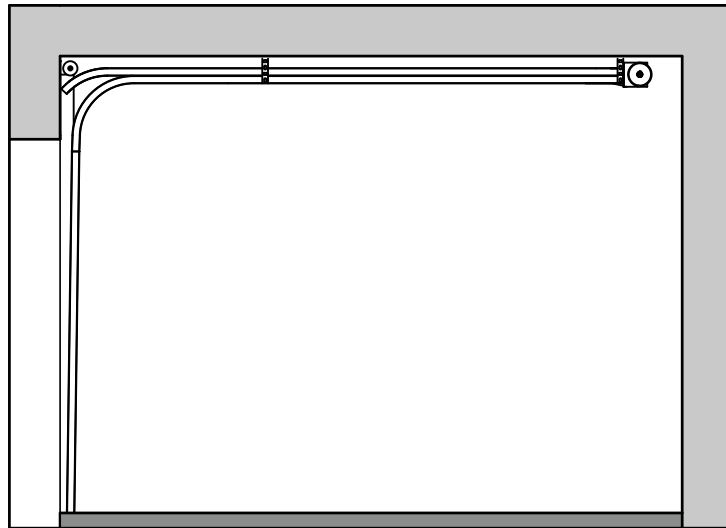
low with back mounted springs



|         |                     |
|---------|---------------------|
| B max   | = 6000 mm           |
| bk min  | = 160 mm            |
| b min   | = 160 mm            |
| bc min  | = 280 mm            |
| bn min  | = 440 mm            |
| H max   | = 5000 mm           |
| Hn min  | = 180 mm            |
| Hp      | = H - 200 mm        |
| Hpn     | = H - 130 mm        |
| W min   | = H + 1100 mm       |
| BxH max | = 20 m <sup>2</sup> |

# LHR-B

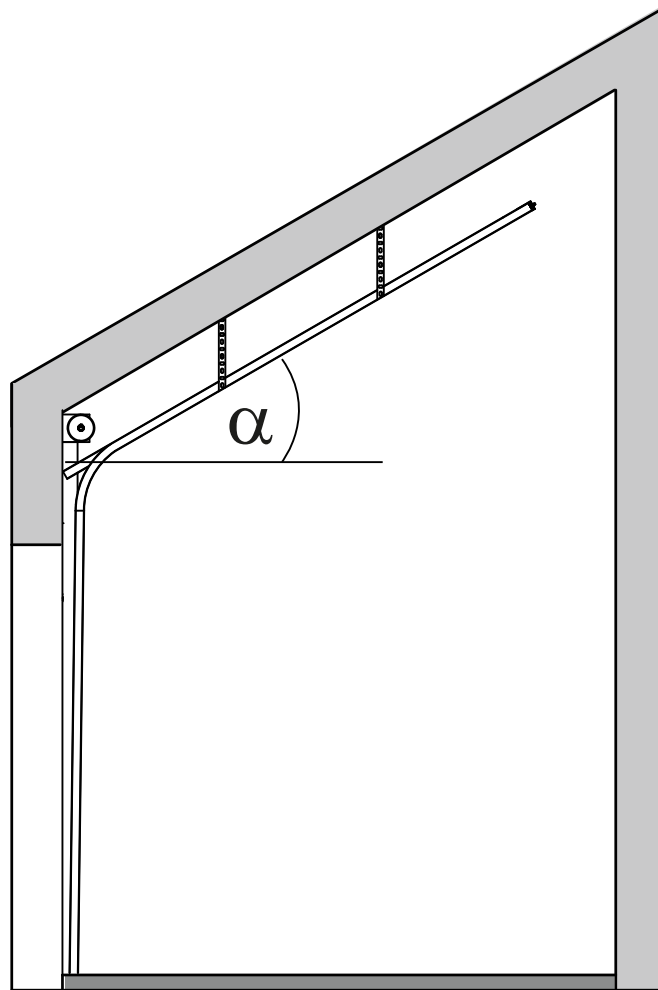
low with back mounted springs



|            |                     |
|------------|---------------------|
| B max      | = 8000 mm           |
| bk min     | = 160 mm            |
| b min      | = 160 mm            |
| bc min     | = 280 mm            |
| bn min     | = 440 mm            |
| H max      | = 5000 mm           |
| Hn min/max | = 180/245 mm        |
| Hp         | = H - 200 mm        |
| Hpn        | = H - 130 mm        |
| W min      | = H + 1100 mm       |
| BxH max    | = 20 m <sup>2</sup> |

# FTR

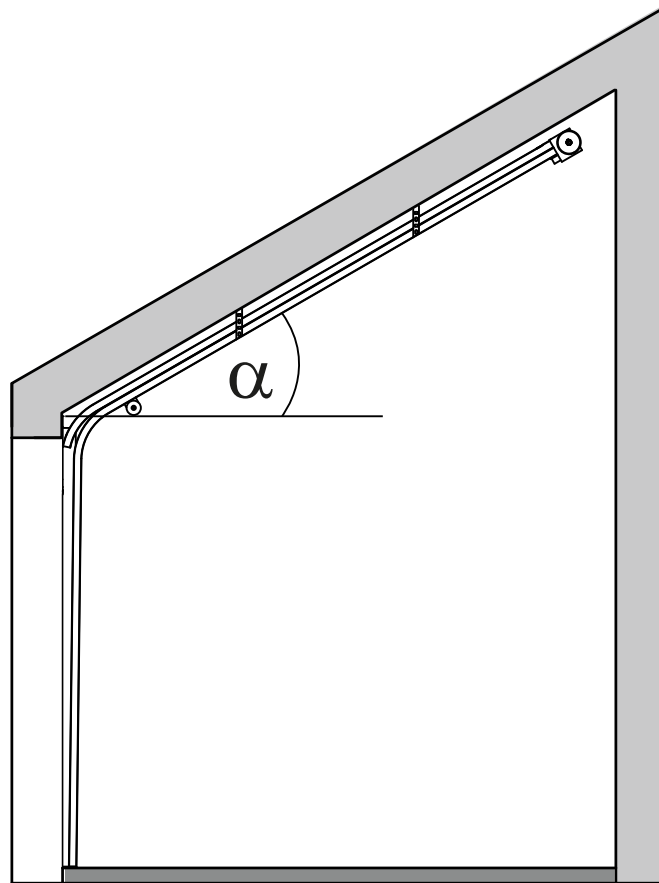
normal along roof construction



|          |                               |
|----------|-------------------------------|
| B max    | = 8000 mm                     |
| bk min   | = 100 mm                      |
| b min    | = 140 mm                      |
| bc min   | = 260 mm                      |
| bn min   | = 440 mm                      |
| H max    | = 5510 mm   = 6000 mm         |
| Hn min   | = 450 mm   = 510 mm           |
| Hp       | = H - 50 mm                   |
| Hpn      | = H                           |
| W min    | = H + 340 mm                  |
| $\alpha$ | = $5^{\circ} \div 35^{\circ}$ |
| BxH max  | = 32 m <sup>2</sup>           |

# FLH

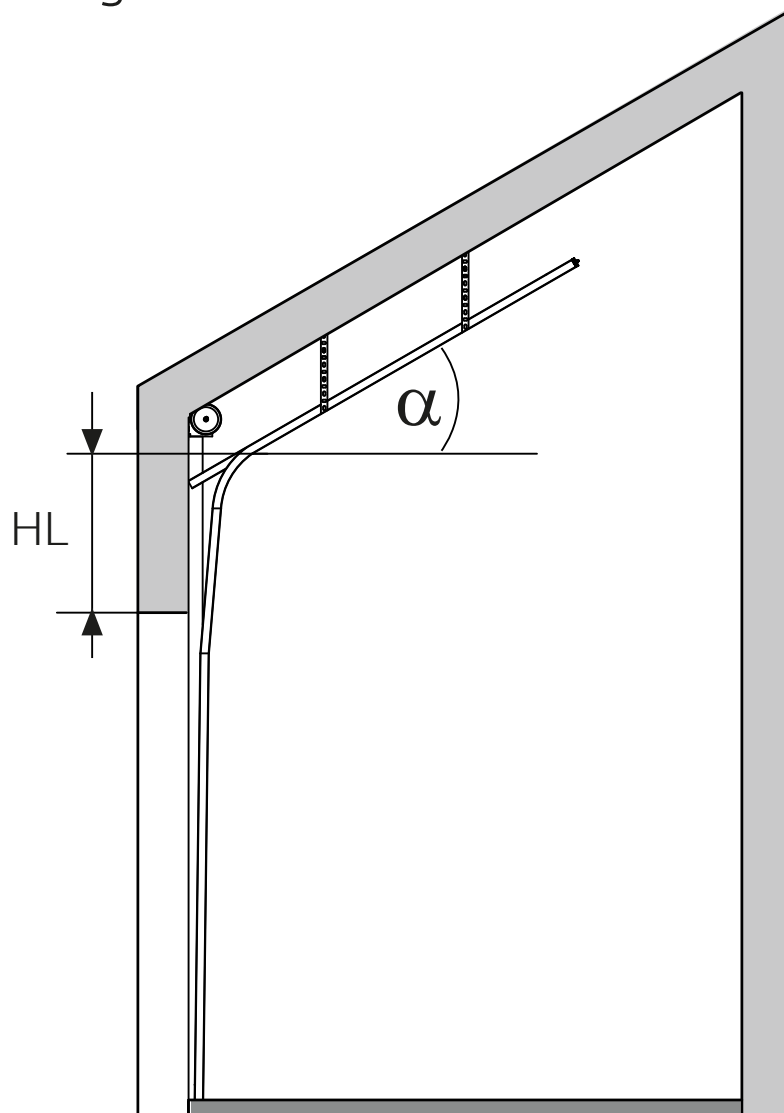
low along roof construction



|          |                     |
|----------|---------------------|
| B max    | = 6000 mm           |
| bk min   | = 160 mm            |
| b min    | = 200 mm            |
| bc min   | = 320 mm            |
| bn min   | = 440 mm            |
| H max    | = 5000 mm           |
| Hn min   | = 180 mm            |
| Hp       | = H - 200 mm        |
| Hpn      | = H - 100 mm        |
| W min    | = H + 1285 mm       |
| $\alpha$ | = 5° ÷ 35°          |
| BxH max  | = 20 m <sup>2</sup> |

# FHL

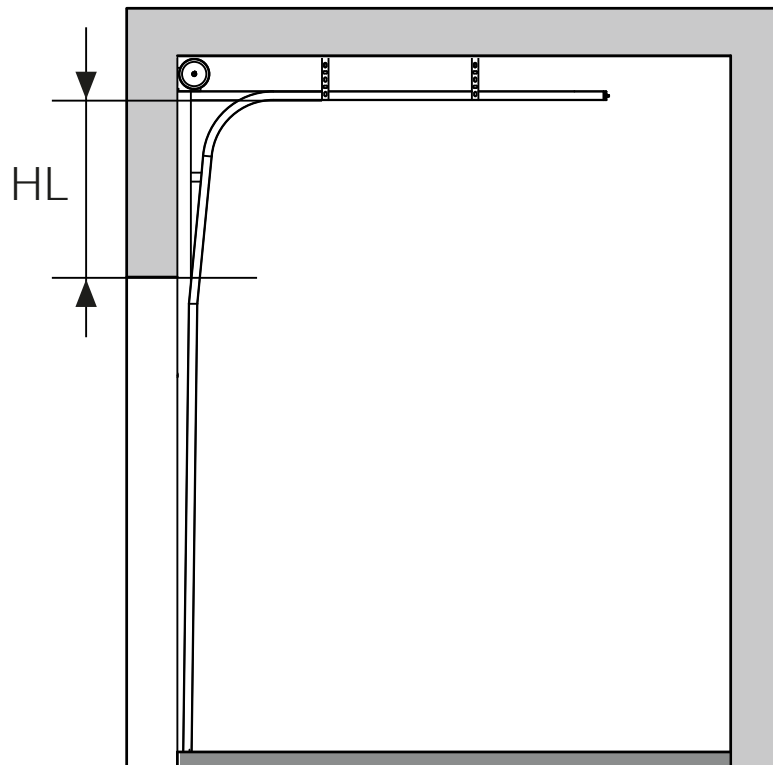
high along roof construction



|         |                                     |
|---------|-------------------------------------|
| B max   | = 8000 mm                           |
| bk min  | = 100 mm                            |
| b min   | = 140 mm                            |
| bc min  | = 260 mm                            |
| bn min  | = 440 mm                            |
| H max   | = 4800 mm   = 4800 mm   = 5800 mm   |
| HL max  | = 1320 mm   = 3000 mm   = 2850 mm   |
| Hn min  | = HL+260 mm   HL+325 mm   HL+360 mm |
| HL min  | = 210 mm                            |
| Hp      | = H                                 |
| Hpn     | = H                                 |
| W min   | = H - HL+900 mm                     |
| α       | = 5° ÷ 60°                          |
| BxH max | = 32 m <sup>2</sup>                 |

# HL

high

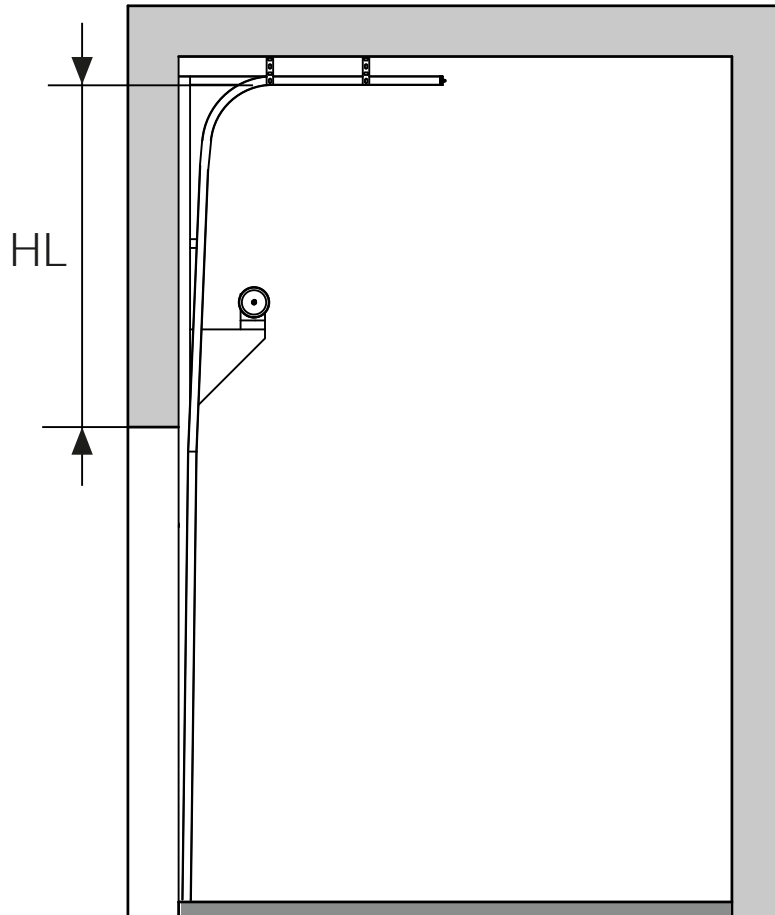


|        |                                     |
|--------|-------------------------------------|
| B max  | = 8000 mm                           |
| bk min | = 100 mm                            |
| b min  | = 140 mm                            |
| bc min | = 260 mm                            |
| bn min | = 440 mm                            |
| H max  | = 4800 mm   = 4800 mm   = 5800 mm   |
| HL max | = 1320 mm   = 3000 mm   = 2850 mm   |
| Hn min | = HL+260 mm   HL+325 mm   HL+360 mm |
| HL min | = 210 mm                            |
| Hp     | = H                                 |
| Hpn    | = H                                 |
| W min  | = H - HL+750 mm                     |



# HL-K

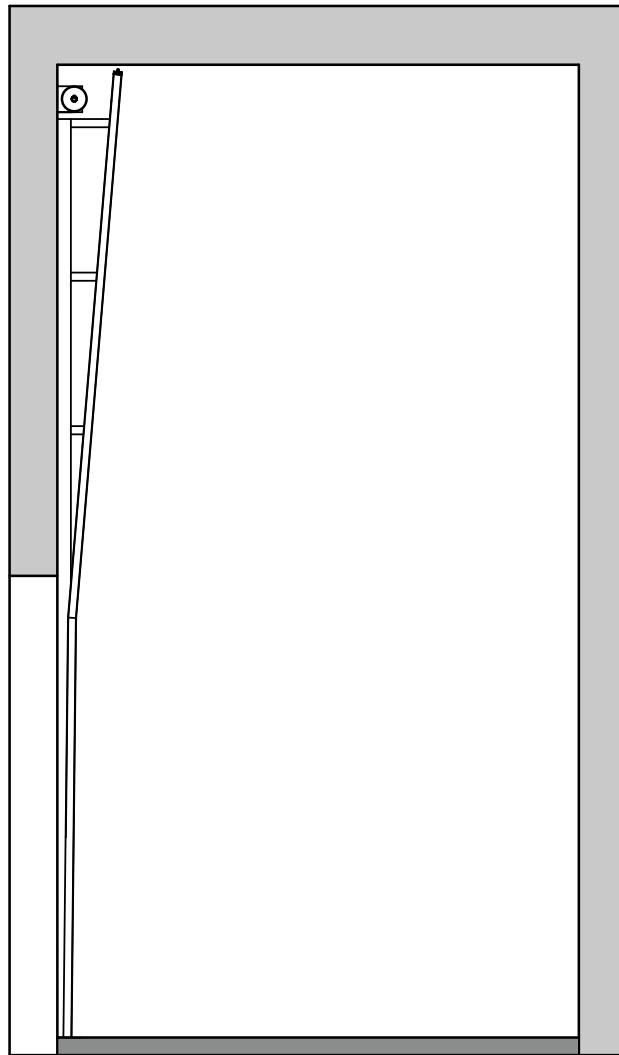
high on wall brackets



|        |                       |
|--------|-----------------------|
| B max  | = 5500 mm             |
| bk min | = 140 mm              |
| b min  | = 180 mm              |
| bc min | = 300 mm              |
| bn min | = 440 mm              |
| H max  | = 4800 mm   = 5800 mm |
| HL max | = 3000 mm   = 2850 mm |
| Hn min | = HL+175 mm           |
| HL min | = 800 mm              |
| Hp     | = H                   |
| Hpn    | = H                   |
| W min  | = H - HL+750 mm       |

# VL

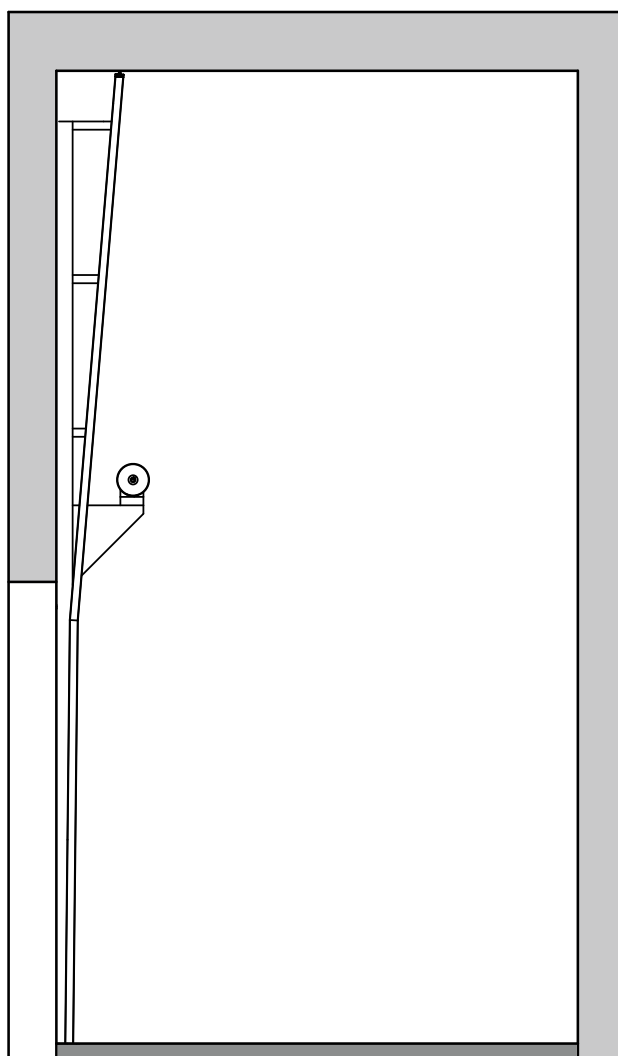
vertical



|        |                         |
|--------|-------------------------|
| B max  | = 8000 mm               |
| bk min | = 100 mm                |
| b min  | = 120 mm                |
| bc min | = 240 mm                |
| bn min | = 440 mm                |
| H max  | = 3300 mm   = 5500 mm   |
| Hn min | = H+330 mm   = H+330 mm |
| W min  | = 500 mm   = 550 mm     |
| Hp     | = H                     |
| Hpn    | = H                     |

# VL-K

vertical on wall brackets



|        |            |
|--------|------------|
| B max  | = 5500 mm  |
| bk min | = 140 mm   |
| b min  | = 180 mm   |
| bc min | = 300 mm   |
| bn min | = 440 mm   |
| H max  | = 5500 mm  |
| Hn min | = H+330 mm |
| W min  | = 700 mm   |
| Hp     | = H        |
| Hpn    | = H        |